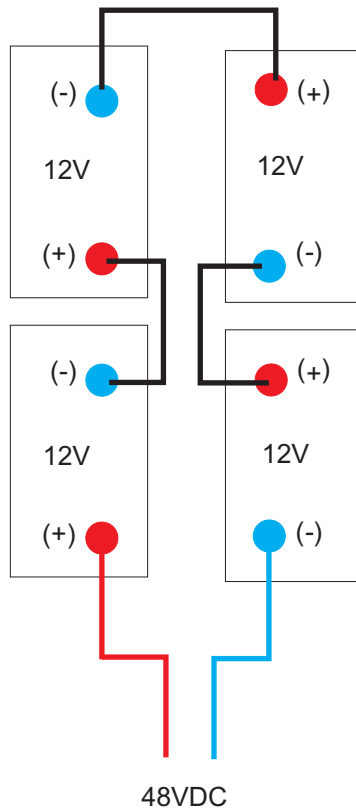
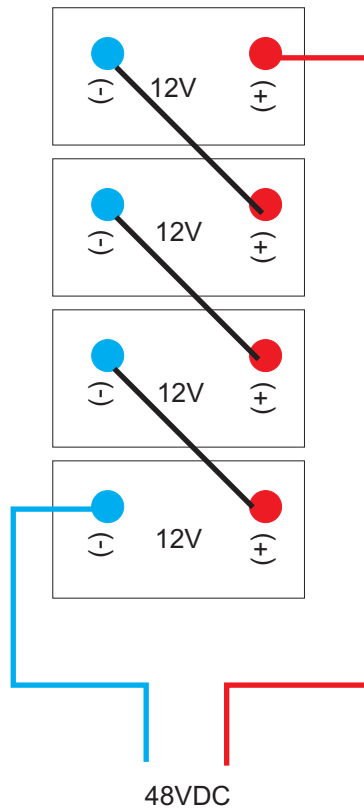


48 volt batteries wiring diagram

Option # 1



Option # 2



Option # 3

